



KKLN-01

Lens Accessory

KKDÖ

www.kkdc.lighting



KKLN-01 Lens Accessory

Following extensive in-house development KKDC is pleased to introduce KKLN-01, a new compact extruded lens solution for linear LED strips. Showcased at Frankfurt Light + Building 2016, this innovative 'two position' lens design made from co-extruded PMMA offers multiple applications where very discreet, narrow beam optic control is required for LED strip lighting and is especially suited for interior or exterior close-offset wall washing and façade lighting applications.

Currently KKLN-01 is available as a factory fitted accessory to use with KKDC aluminium housings 'TiMi' and 'MoMo' and is compatible with the extensive range of KKDC LED strip types and colour temperature options.

Specified with TiMi, KKLN-01 lens is suitable for use in concealed architectural details and is mounted by transparent and robust snap-fit clips. With full coverage of the LED PCB and extrusion, TiMi + KKLN-01 can be positioned end to end for continuous lighting with minimum shadowing.

Highly efficient with 90% LOR, the KKLN-01 offers excellent narrow beam performance with a choice of 14° or 36°, where the beam angle is determined by selecting one of the two mounting positions for KKDC TiMi LED strip.

MoMo + KKLN-01 Lens excels as a cost efficient exterior façade luminaire which can also be mounted inside window frame for window reveal lighting applications.

In addition we are excited to announce that KKLN-01 will also be an integral feature of our new 'LiNi Blade' product housing due to be launched in 2016. We hope the KKDC KKLN-01 linear lens optic will be welcomed by lighting designers and become a fantastic tool for creative lighting control.





KKLN-01 Lens Accessory

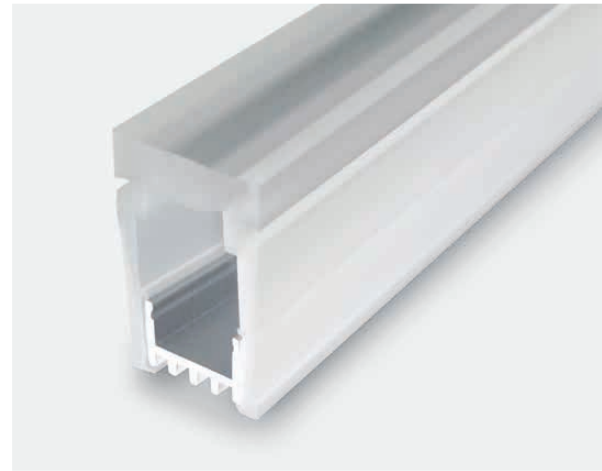
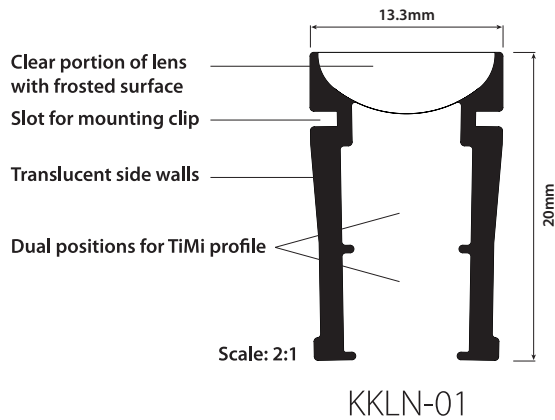
Innovative extruded linear lens accessory designed for multiple applications.

High efficiency with 90% LOR.

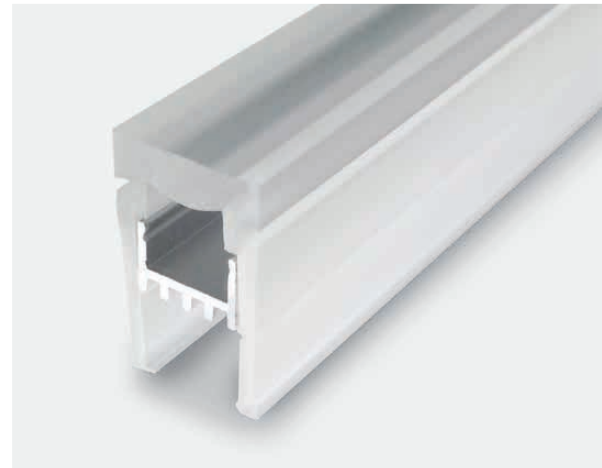
KKLN-01 can be used with TiMi housing for interior applications or MoMo housings for exterior facade lighting. This lens will also feature inside new LiNi Blade series due to be launched in 2016.

Compatible with an extensive range of KKDC LED strips.

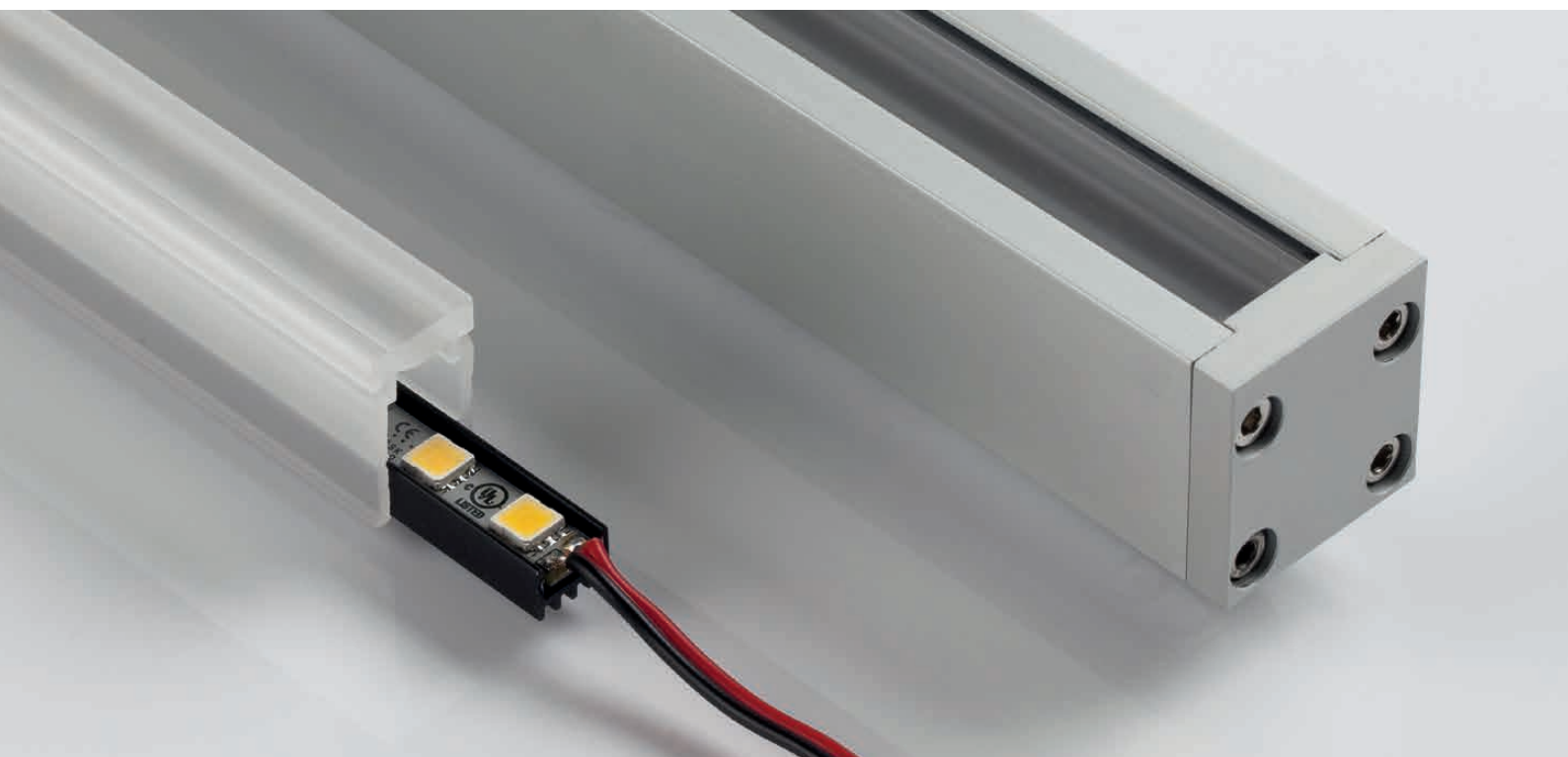
Various beam angles possible according to housing type & position, with excellent narrow beam performance.



Lens Accessory 14° position



Lens Accessory 36° position

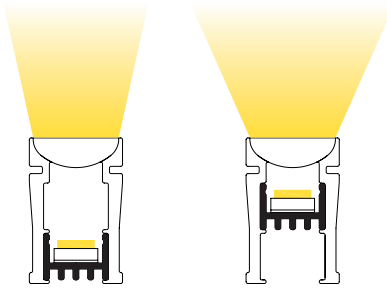




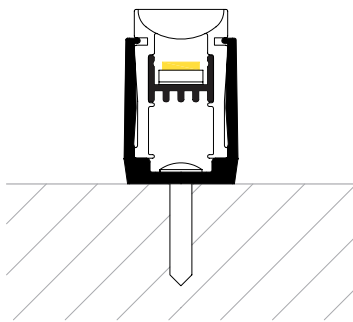
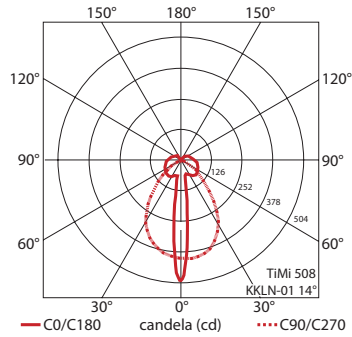
KKLN-01 Lens Accessory

14°

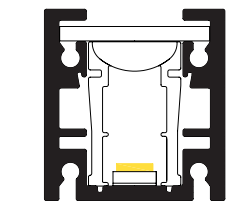
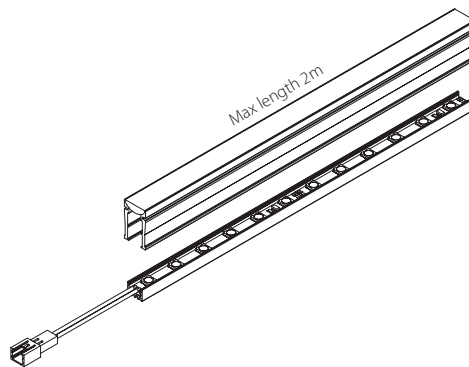
36°



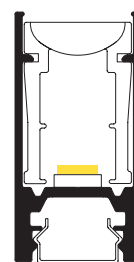
TiMi + KKLN-01



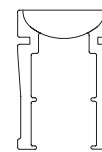
Mounting clip



MoMo + KKLN-01



LiNi Blade-S + KKLN-01



KKLN-01 lens



KKDC LED strip



Aluminium housing



Mounting clip