

Flexible

DUO Luna Fixture Guide

KKDÖ

Indoor/Outdoor | Surface | Output up to 460lm/m (140lm/ft)

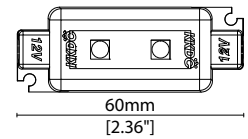
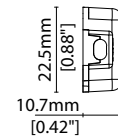


Key applications

- ✓ Architectural detail
- ✓ Backlighting/Signage
- ✓ Bathrooms
- ✓ Building façades
- ✓ Cove lighting
- ✓ Indirect lighting
- ✓ Interior/Exterior
- ✓ Mirror back lighting
- ✓ Swimming pools
- ✓ Under bench
- ✓ Under cabinet

Key features

- ✓ Custom lengths
- ✓ Diffusion: Spotting
- ✓ Extensive CCT range
- ✓ Flexible
- ✓ Form factor: Small
- ✓ IP40
- ✓ IP65
- ✓ IP68
- ✓ RGB
- ✓ Submersible



Flexible

DUO Luna

Specification sheet

KKDC



Dimensions	H10.7/W22.5/L60mm (H0.42/W0.88/L2.36in) (9/13 modules per metre)
PCB Cut-point	111/77mm (4.37/3.03in)
LED Pitch	-
Chip	s-line
Cover/Optics	Clear (105°)
CCT	s-line : 2100K/2300K/2500K/2700K/3000K/3200K/3500K/4000K/5000K Single colours: Red/Green/Blue/Orange/Amber
LED binning	s-line : 2-step MacAdam ellipse
CRI	≥ 90
Lifetime	50,000 hours @ 25°C (50,000 hours @ 77°F)
Operating temp	IP40: T _a = -25 to 50°C (T _c max = 65°C) T _a = -13 to 122°F (T _c max = 149°F) IP65: T _a = -25 to 50°C (T _c max = 65°C) T _a = -13 to 122°F (T _c max = 149°F) IP68: T _a = -25 to 50°C (T _c max = 65°C) T _a = -13 to 122°F (T _c max = 149°F)
IP Rating	IP40/IP65/IP68
Finish	Polycarbonate
Mounting	3M adhesive tape (IP40/65), Screw fixing (IP68)
Power feed	Sheathed hardwire single/double ended sheathed tail
Control	0-10V/1-10V/DMX/DALI



LED Grading Key

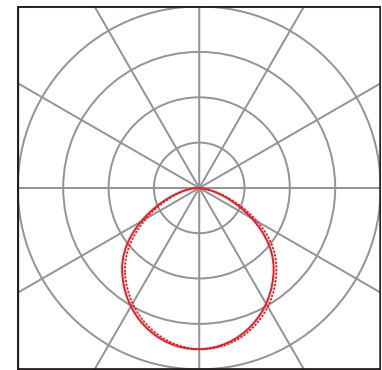
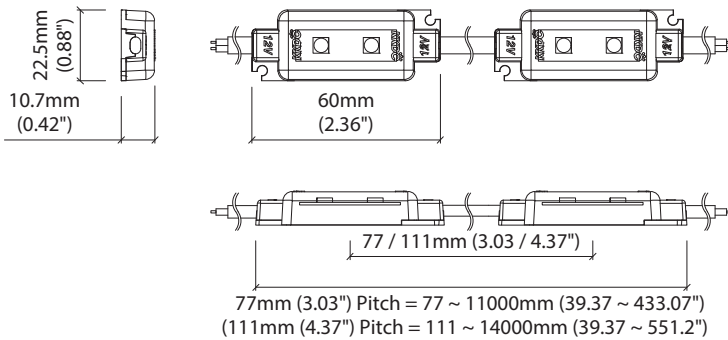
Exclusive Grade

s-line*
2-step CCT range

*KKDC tuned
CCT range

Supply voltage	Modules per metre	Power consumption	Supply current
12V DC	13 modules (77mm pitch)	7.0W/m (2.13W/ft)	0.59A/m (0.18A/ft)
12V DC	9 modules (111mm pitch)	4.9W/m (1.49W/ft)	0.41A/m (0.12A/ft)

	Clear Cover (13modules)	Clear Cover (9modules)	CRI	R9	Rf	Rg
s-line	460lm/m (140lm/ft) 65.4lm/W	320lm/m (98lm/ft) 64.8lm/W	90	50	-	-



Clear Cover
— C0 / C180 cd / 1000 lm C90 / C270

Data derived from independent UKAS / IESNA LM-79-08 accredited testing of production samples.

FIXTURE

Model	Grade ¹	LED	Colour (CCT)	Length Availability ²	IP	Cable Length	Power Feed ³	Module Pitch	Input																	
DUO Luna	DL	s	204	2100K	21	111mm pitch	m	111-14000mm	IP40	40	100mm/3.94in	0100	Single Luna (2P) tail	S00C	77mm/3.03in ⁴	0077	DC 12V	f								
			2300K	23	77mm pitch	m	77-11000mm	IP65	65	1000mm/39.37in	1000	111mm/4.37in ⁵							0111							
			2500K	25	4.37in pitch	i	4.37-551.20in	IP68	68	Double Luna (2P) tail	D00C															
			2700K	27	3.03in pitch	i	3.03-433.07in																			
			3000K	30	(Specify length code OR total run length)																					
			3200K	32																						
			3500K	35																						
			4000K	40																						
			5000K	50																						
			RED	RED	s-only																					
			GREEN	GRN																						
			BLUE	BLU																						
			ORANGE	ORN																						
			AMBER	AMB																						

¹ Refer to **LED Grading Key** on **Specification sheet** page

² Refer to **Length Availability List** or enter total run length instead of length code

³ Refer to **Power Feed Options** on **Options** pages

⁴ 13 modules per metre @ 77mm/3.03in pitch

⁵ 9 modules per metre @ 111mm/4.37in pitch

Code Example:

DL	-	s	-	204	-	30	-	m	-	1000	-	65	-	1000	-	D00C	-	0077	-	f
DUO Luna		s		Luna		3000K				1000mm		IP65		1000mm/39.37in		Double Luna (2P) tail		77mm/3.03in		DC 12V

ACCESSORIES

PSU/Driver

0-10V/1-10V/DALI/DMX

* Refer to **Driver/PSU Options** page for details or provide requirement and KKDC to offer the suitable option

LED ENGINE VARIANTS (LED STRIP TYPE)

Luminaire	LED	Lumen/m	Lumen/ft	W/m	W/ft	Spec Doc	Length
DUO Luna	204	460	140	4.9	1.49	DUO Luna	111-14000mm (4.37-551.2in) 111mm (4.37in) pitch
DUO Luna RGB	202	Red: 41 Green: 117 Blue: 17 RGB: 163	Red: 12 Green: 36 Blue: 5 RGB: 50	5.4	2.96	DUO Luna RGB	77-11000mm (3.03-433.07in) 77mm (3.03in) pitch

* Performance data: s-line, clear cover, 13 Modules (77mm/3.03in pitch), 3000K

Flexible

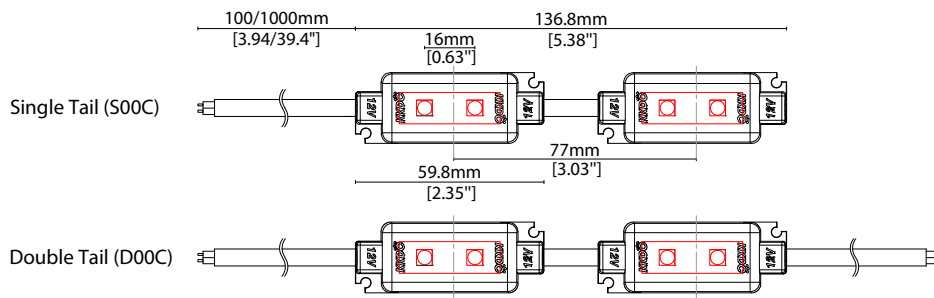
DUO Luna (77mm)

Length Availability List

KKDC

Length Code		Fixture Length ¹		LED Modules	End Cap Dimension		Wattage (W)	Output (lm)
Metric	Imperial(US)	Metric	Imperial(US)	Quantity	Metric	Imperial(US)		3000K (Test Data)
m0060	i0002	60mm	2.36in	1ea	N/A	N/A	0.54	35
m0137	i0005	137mm	5.39in	2ea	N/A	N/A	1.08	71
m0214	i0008	214mm	8.43in	3ea	N/A	N/A	1.62	106
m0291	i0011	291mm	11.46in	4ea	N/A	N/A	2.16	141
m0368	i0014	368mm	14.49in	5ea	N/A	N/A	2.70	177
m0445	i0018	445mm	17.52in	6ea	N/A	N/A	3.24	212
m0522	i0021	522mm	20.55in	7ea	N/A	N/A	3.78	247
m0599	i0024	599mm	23.58in	8ea	N/A	N/A	4.32	283
m0676	i0027	676mm	26.61in	9ea	N/A	N/A	4.86	318
m0753	i0030	753mm	29.65in	10ea	N/A	N/A	5.40	353
m0830	i0033	830mm	32.68in	11ea	N/A	N/A	5.94	388
m0907	i0036	907mm	35.71in	12ea	N/A	N/A	6.48	424
m0984	i0039	984mm	38.74in	13ea	N/A	N/A	7.02	459
m1061	i0042	1061mm	41.77in	14ea	N/A	N/A	7.56	494
m1138	i0045	1138mm	44.80in	15ea	N/A	N/A	8.10	530
m1215	i0048	1215mm	47.83in	16ea	N/A	N/A	8.64	565
m1292	i0051	1292mm	50.87in	17ea	N/A	N/A	9.18	600
m1369	i0054	1369mm	53.90in	18ea	N/A	N/A	9.72	636
m1446	i0057	1446mm	56.93in	19ea	N/A	N/A	10.26	671
m1523	i0060	1523mm	59.96in	20ea	N/A	N/A	10.80	706
m1600	i0063	1600mm	62.99in	21ea	N/A	N/A	11.34	742
m1677	i0066	1677mm	66.02in	22ea	N/A	N/A	11.88	777
m1754	i0069	1754mm	69.06in	23ea	N/A	N/A	12.42	812
m1831	i0072	1831mm	72.09in	24ea	N/A	N/A	12.96	848

¹ Fixture length excludes power feed tail/s (100 or 1000mm / Single or Double Ended). The maximum length continues up to 10,994mm/443in (143 LED modules Max.) in 77mm increments



Flexible

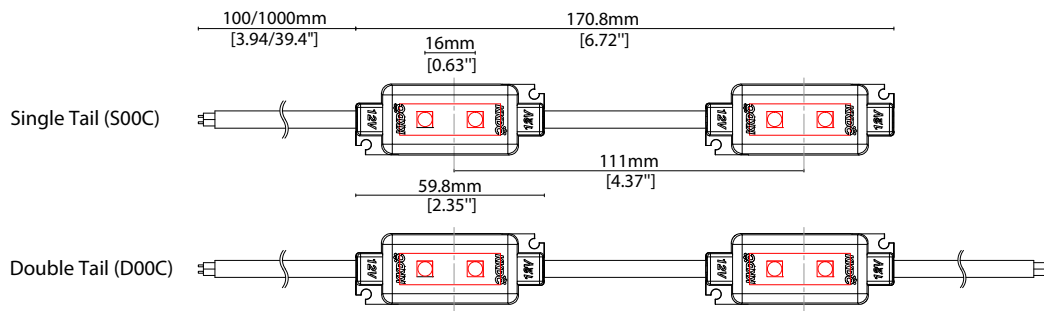
DUO Luna (111mm)

Length Availability List

KKDC

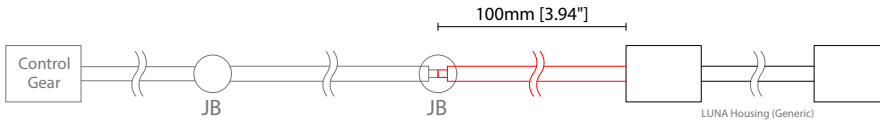
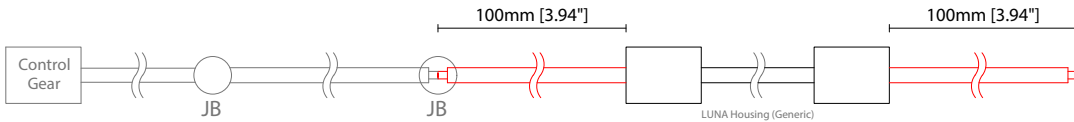
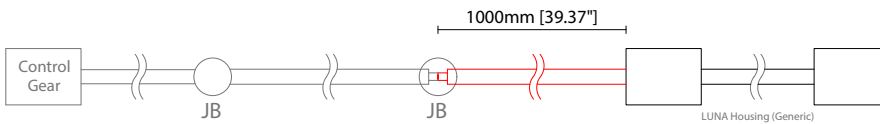
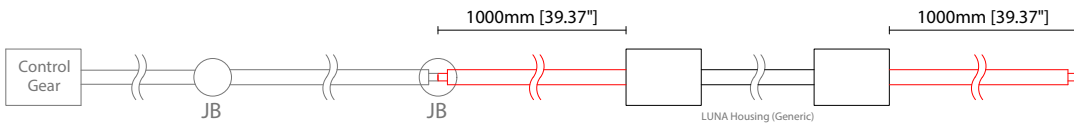
Length Code		Fixture Length ¹		LED Modules	End Cap Dimension		Wattage (W)	Output (lm)
Metric	Imperial(US)	Metric	Imperial(US)	Quantity	Metric	Imperial(US)		3000K (Test Data)
m0060	i0002	60mm	2.36in	1ea	N/A	N/A	0.54	35
m0171	i0007	171mm	6.73in	2ea	N/A	N/A	1.08	70
m0282	i0011	282mm	11.10in	3ea	N/A	N/A	1.62	105
m0393	i0015	393mm	15.47in	4ea	N/A	N/A	2.16	140
m0504	i0020	504mm	19.84in	5ea	N/A	N/A	2.70	175
m0615	i0024	615mm	24.21in	6ea	N/A	N/A	3.24	210
m0726	i0029	726mm	28.58in	7ea	N/A	N/A	3.78	245
m0837	i0033	837mm	32.95in	8ea	N/A	N/A	4.32	280
m0948	i0037	948mm	37.32in	9ea	N/A	N/A	4.86	315
m1059	i0042	1059mm	41.69in	10ea	N/A	N/A	5.40	350
m1170	i0046	1170mm	46.06in	11ea	N/A	N/A	5.94	385
m1281	i0050	1281mm	50.43in	12ea	N/A	N/A	6.48	420
m1392	i0055	1392mm	54.80in	13ea	N/A	N/A	7.02	455
m1503	i0059	1503mm	59.17in	14ea	N/A	N/A	7.56	490
m1614	i0064	1614mm	63.54in	15ea	N/A	N/A	8.10	525
m1725	i0068	1725mm	67.91in	16ea	N/A	N/A	8.64	560
m1836	i0072	1836mm	72.28in	17ea	N/A	N/A	9.18	595
m1947	i0077	1947mm	76.65in	18ea	N/A	N/A	9.72	630
m2058	i0081	2058mm	81.02in	19ea	N/A	N/A	10.26	665
m2169	i0085	2169mm	85.39in	20ea	N/A	N/A	10.80	700
m2280	i0090	2280mm	89.76in	21ea	N/A	N/A	11.34	735
m2391	i0094	2391mm	94.13in	22ea	N/A	N/A	11.88	770
m2502	i0099	2502mm	98.50in	23ea	N/A	N/A	12.42	805
m2613	i0103	2613mm	102.87in	24ea	N/A	N/A	12.96	840

¹ Fixture length excludes power feed tail/s (100 or 1000mm / Single or Double Ended). The maximum length continues up to 13,935mm/551in (126 LED modules Max.) in 111mm increments



POWER FEED OPTIONS

* Options are an integral part of the fixture ordering codes. Please refer to **Code Table** pages.

0100 S00C 100mm (3.94") Single Luna (2P) tail**0100 D00C 100mm (3.94") Double Luna (2P) tail****1000 S00C 1000mm (39.37") Single Luna (2P) tail****1000 D00C 1000mm (39.37") Double Luna (2P) tail****Key**

Control Gear Power supply, sub-controllers & control systems

JB Junction box / cable connection

Flexible

DUO Luna Accessories

KKDÖ

KKDC CONTROL



IP20
Plastic housing
L170/W59/H29mm
(L6.69/W2.32/H1.14in)

KKDM-06 1-10V
visDIM dimmable sub-controller
(4 x 8A max @ 12-36V)



IP20
Plastic housing
L170/W53.4/H28mm
(L6.69/W2.10/H1.10in)

KKSC-05 DMX
visDIM dimmable sub-controller
(4 x 5A max @ 12-36V)



IP20
Plastic housing
L170/W59/H29mm
(L6.69/W2.32/H1.14in)

KKDL-02 DALI
visDIM dimmable sub-controller
(4 x 8A max @ 12-36V)



IP20
Plastic housing
L166/W53.4/H23mm
(L6.54/W2.10/H0.91in)

KKDL-03 DALI
visDIM dimmable sub-controller
(4 x 5A max @ 12-36V)



IP20
Plastic housing
L170/W53.4/H28mm
(L6.69/W2.10/H1.10in)

KKDL-04 DALI-2
visDIM dimmable sub-controller
(4 x 5A max @ 12-36V)

AVAILABLE PSU OPTIONS

Control Mode	PSU (Order Code)	Input Voltage AC	Output Voltage DC	Rated Output Current	Rated Power	Dim %	IP Rating
Switched	CEN-60-24	90-295V	24V	2.5A	60W	-	IP67
	HLG-60H-24	90-305V	24V	2.5A	60W	-	IP67
	HLG-100H-24	90-305V	24V	4.0A	100W	-	IP67
	HLG-150H-24	90-305V	24V	6.3A	150W	-	IP67
	HLG-240H-24	90-305V	24V	10A	240W	-	IP67
0-10V (1-10V)	PWM-40-24	90-305V	24V	1.67A	40W	100-0.15 (100-10)	IP67
	PWM-60-24	90-305V	24V	2.5A	60W	100-0.15 (100-10)	IP67
	PWM-90-24	90-305V	24V	3.67A	90W	100-0.15 (100-10)	IP67
	PWM-120-24	90-305V	24V	5.0A	120W	100-0.15 (100-10)	IP67
DALI	LIN100A1	120-277V	24V	1A per channel	100W	100-0.1	IP66/IP40
DMX RGB	LIN100A1	120-277V	24V	1.33A per channel	100W	100-0.1	IP66/IP40
DMX RGBW	LIN100A1	120-277A	24V	1A per channel	100W	100-0.1	IP66/IP40

Flicker Free Options - Combination of PSU+ sub-controller

Control Mode	PSU (Order Code)	Sub-controller (Order Code)	Input Voltage AC	Output Voltage DC	Rated Output Current	Rated Power	Dim %	IP Rating PSU/ Sub-controller
0-10V or 1-10V	CEN-60-24	KKDM-06	90-295V	24V	2.5A	60W	100-0.9	IP67/IP20
	HLG-60H-24	KKDM-06	90-295V	24V	2.5A	60W	100-0.9	IP67/IP20
	HLG-100H-24	KKDM-06	90-295V	24V	4.0A	100W	100-0.9	IP67/IP20
	HLG-150H-24	KKDM-06	90-295V	24V	6.3A	150W	100-0.9	IP67/IP20
	HLG-240H-24	KKDM-06	90-295V	24V	10.0A	240W	100-0.9	IP67/IP20
DALI	CEN-60-24	KKDL-02/03/04/visDIM PRO 30	90-295V	24V	2.5A	60W	100-0.1	IP67/IP20
	HLG-60H-24	KKDL-02/03/04/visDIM PRO 30	90-305V	24V	2.5A	60W	100-0.1	IP67/IP20
	HLG-100H-24	KKDL-02/03/04/visDIM PRO 30	90-305V	24V	4.0A	100W	100-0.1	IP67/IP20
	HLG-150H-24	KKDL-02/03/04/visDIM PRO 30	90-305V	24V	6.3A	150W	100-0.1	IP67/IP20
	HLG-240H-24	KKDL-02/03/04/visDIM PRO 30	90-305V	24V	10.0A	240W	100-0.1	IP67/IP20
DMX RGB	CEN-60-24	KKSC-05	90-295V	24V	2.5A	60W	100-0.9	IP67/IP20
	HLG-60H-24	KKSC-05	90-305V	24V	2.5A	60W	100-0.9	IP67/IP20
	HLG-100H-24	KKSC-05	90-305V	24V	4A	100W	100-0.9	IP67/IP20
	HLG-150H-24	KKSC-05	90-305V	24V	6.3A	150W	100-0.9	IP67/IP20
	HLG-240H-24	KKSC-05	90-305V	24V	10.0A	240W	100-0.9	IP67/IP20

¹ The items shown above cover the most frequently used specification but does not exhaust the possible options

² PSU and/or driver can be chosen from the table, or KKDC may recommend the best option upon receipt of the controls requirement and installation environment

³ Electrical shop drawing will include detailed information of PSU and relevant control drivers

⁴ Cut sheets are available on the controls section of www.kkdc.lighting or upon request