

Flexible

Duo Luna

Specification sheet

KKDC


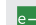
	9V DC	53/37 W/m	1.6/1.3 W/R	≤ 87.6 lm/W	12V DC	7.0/4.9 W/m	2.13/1.49 W/R	≤ 65.4 lm/W	IP40/65/68			LM79 Tested
---	-------	-----------	-------------	-------------	--------	-------------	---------------	-------------	------------	---	---	-------------

Dimension	H10.7/W22.5/L60mm (H0.42/W0.88/L2.36in) (9/13 modules per metre)
Module pitch	111/77mm (4.37/3.03in)
Chip	s/e-line Toyoda Gosei
Beam angle	105°
Colours	s/e-line 2100K/2300K/2500K/2700K/3000K/3200K/3500K/4000K/5000K s-line Single colours: Red/Green/Blue/Orange/Amber
Bin/Step	s-line 2-step MacAdam ellipse e-line 3-step MacAdam ellipse
CRI	≥ 90
Lifetime	50,000 hours @ 25°C (50,000 hours @ 77°F)
Operating temp	IP40: T _a = -25 to 50°C (T _c max = 65°C) T _a = -13 to 122°F (T _c max = 149°F) IP65: T _a = -25 to 50°C (T _c max = 65°C) T _a = -13 to 122°F (T _c max = 149°F) IP68: T _a = -25 to 50°C (T _c max = 65°C) T _a = -13 to 122°F (T _c max = 149°F)
IP rating	IP40/IP65/IP68
Finish	Polycarbonate
Cover/lens	Clear
Mounting	3M adhesive tape (IP40/65), Screw fixing (IP68)
Min bend radius	130° (77mm/3.03" pitch)/180° (111mm/4.37" pitch)
Power feed	Sheathed hardwire single/double ended sheathed tail
Control	0-10V/1-10V/DMX/DALI



LED Grading Key

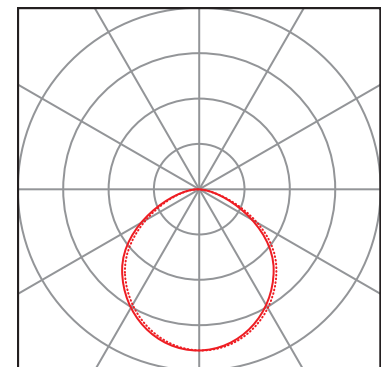
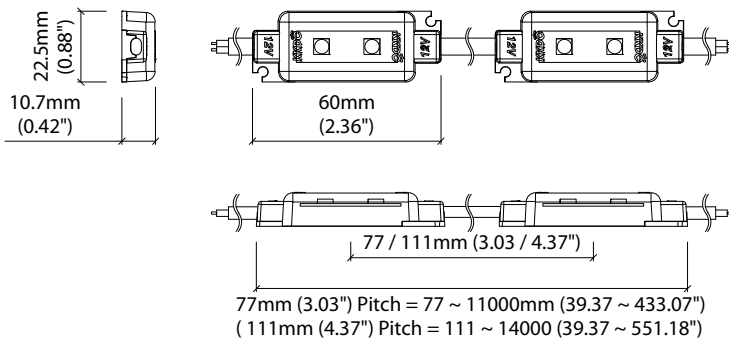
Exclusive Grade

	s-line*	*KKDC tuned CCT range
		2-step CCT range
	e-line*	
		3-step CCT range

PERFORMANCE DATA @ 3000K

Supply voltage	Modules per metre	Power consumption	Supply current
9V DC	13 modules (77mm pitch)	5.3W/m (1.6W/ft)	0.59A/m (0.18A/ft)
9V DC	9 modules (111mm pitch)	3.7W/m (1.13W/ft)	0.41A/m (0.12A/ft)
12V DC	13 modules (77mm pitch)	7.0W/m (2.13W/ft)	0.59A/m (0.18A/ft)
12V DC	9 modules (111mm pitch)	4.9W/m (1.49W/ft)	0.41A/m (0.12A/ft)

	Clear Cover (9V DC 13modules)	Clear Cover (9V DC 9modules)	Clear Cover (12V DC 13modules)	Clear Cover (12V DC 9modules)	CRI	R9	Rf	Rg
s/e-line	460lm/m (140lm/ft) 87.1lm/W	320lm/m (98lm/ft) 87.6lm/W	460lm/m (140lm/ft) 65.4lm/W	320lm/m (98lm/ft) 64.8lm/W	90	50	-	-



— C0 / C180 cd / 1000 lm ···· C90 / C270

Data derived from independent UKAS / IESNA LM-79-08 accredited testing of production samples.

Flexible

Duo Luna Accessories

KKDC

KKDC CONTROL

Note: Accessories are to be ordered separately with corresponding code shown below.



IP20
Black plastic housing
L164/W64/H34mm
(L6.46/W2.52/H1.34in)

KKDM-05 1-10V
visDIM dimmable sub-controller



IP20
Black plastic housing
L164/W64/H34mm
(L6.46/W2.52/H1.34in)

KKSC-03A DMX (screw terminal)
visDIM dimmable sub-controller



IP20
Black plastic housing
L164/W64/H34mm
(L6.46/W2.52/H1.34in)

KKSC-03B DMX (RJ45)
visDIM dimmable sub-controller



IP20
Plastic housing
L170/W59/H29mm
(L6.69/W2.32/H1.14in)

KKDL-02 DALI
visDIM dimmable sub-controller
(4 x 8A max @ 12-36V)



IP20
Plastic housing
L166/W53.4/H23mm
(L6.54/W2.10/H0.91in)

KKDL-03 DALI
visDIM dimmable sub-controller
(4 x 5A max @ 12-36V)

AVAILABLE PSU OPTIONS

Control Mode	PSU (Order Code)	Input Voltage AC	Output Voltage DC	Rated Output Current	Rated Power	Dim %	IP Rating
Switched	CEN-60-12	90-295V	12V	5.0A	60W	-	IP67
	HLG-80H-12	90-305V	12V	5.0A	60W	-	IP67
	HLG-120H-12	90-305V	12V	10.0A	120W	-	IP67
	HLG-150H-12	90-305V	12V	12.5A	150W	-	IP67
	HLG-240H-12	90-305V	12V	16.0A	192W	-	IP67
0-10V (1-10V)	PWM-40-12	90-305V	12V	3.34A	40W	100-0.15 (100-10)	IP67
	PWM-60-12	90-305V	12V	2.5A	60W	100-0.15 (100-10)	IP67
	PWM-90-12	90-305V	12V	3.67A	90W	100-0.15 (100-10)	IP67
	PWM-120-12	90-305V	12V	10.0A	120W	100-0.15 (100-10)	IP67
DALI	LIN100A1	120-277V	12V	2.08A per channel	100W	100-0.1	IP66/IP40
DMX RGB	LIN100A1	120-277V	12V	2.76A per channel	100W	100-0.1	IP66/IP40
DMX RGBW	LIN100A1	120-277A	12V	2.08A per channel	100W	100-0.1	IP66/IP40

Flicker Free Options - Combination of PSU+ sub-controller

Control Mode	PSU (Order Code)	Sub-controller (Order Code)	Input Voltage AC	Output Voltage DC	Rated Output Current	Rated Power	Dim %	IP Rating PSU/ Sub-controller
0-10V or 1-10V	HLG-80H-12	KKDM-05	90-305V	12V	5.0A	60W	100-0.9	IP67/IP20
	HLG-120H-12	KKDM-05	90-305V	12V	10.0A	120W	100-0.9	IP67/IP20
	HLG-150H-12	KKDM-05	90-305V	12V	12.5A	150W	100-0.9	IP67/IP20
	HLG-240H-12	KKDM-05	90-305V	12V	16.0A	192W	100-0.9	IP67/IP20
	CEN-60-12	KKDL-02/03	90-295V	12V	2.5A	60W	100-0.1	IP67/IP20
DALI	HLG-80H-12	KKDL-02/03	90-305V	12V	2.5A	60W	100-0.1	IP67/IP20
	HLG-120H-12	KKDL-02/03	90-305V	12V	10.0A	120W	100-0.1	IP67/IP20
	HLG-150H-12	KKDL-02/03	90-305V	12V	12.5A	150W	100-0.1	IP67/IP20
	HLG-240H-12	KKDL-02/03	90-305V	12V	16.0A	192W	100-0.1	IP67/IP20
DMX RGB	HLG-80H-12	KKSC-03	90-295V	12V	5.0A	60W	100-0.9	IP67/IP20
	HLG-120H-12	KKSC-03	90-295V	12V	10.0A	120W	100-0.9	IP67/IP20
	HLG-150H-12	KKSC-03	90-305V	12V	12.5A	150W	100-0.9	IP67/IP20
	HLG-240H-12	KKSC-03	90-305V	12V	16.0A	192W	100-0.9	IP67/IP20

¹ The items shown above cover the most frequently used specification but does not exhaust the possible options

² PSU and/or driver can be chosen from the table, or KKDC may recommend the best option upon receipt of the controls requirement and installation environment

³ Electrical shop drawing will include detailed information of PSU and relevant control drivers

⁴ Cut sheets are available on the controls section of www.kkdc.lighting or upon request